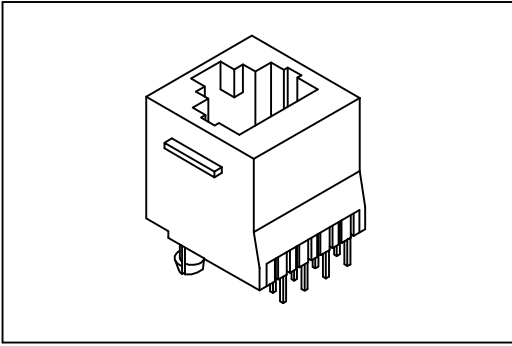


5008 Series Modular Jack



Features:

- * UL recognized, CSA listed.
- * 50 μ " gold meets FCC 68 requirements.
- * Available in 4, 6, 8, 10 position housing.
- * Industry compatible profiles and foot prints.
- * Available in selective loading.
- * Contact pre-loaded and self aligned.

Material:

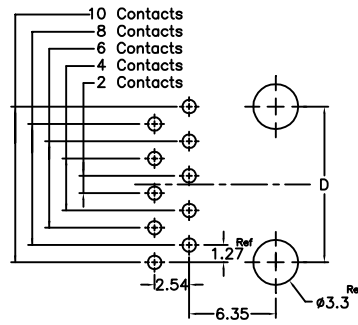
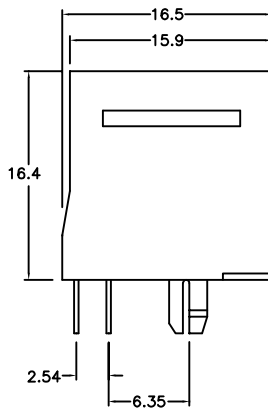
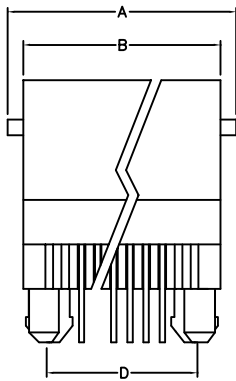
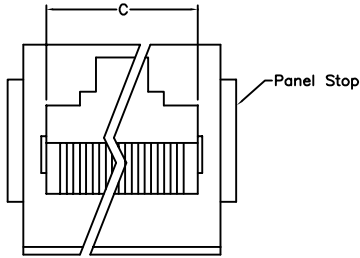
Housing: 30% Glass filled PBT UL94V-0.
Contacts: Phosphor Bronze.
Plating: Selective Gold plated on contact area over Nickel.

Electrical Characteristics:

Current Rating: 2 AMP.
Insulator Resistance: 5000M Ω min. at DC 500V.
Contact Resistance: 30m Ω max. at DC 100mA.
Operating Temperature: -55 $^{\circ}$ C~+105 $^{\circ}$ C.
Capacitance: 1.5pF max between adjacent contacts.

Mechanical Characteristics:

Durability: 250 cycles.
Retention Force: 7.7kg between jack & plug.
Max Total Mating Force: 2 contacts loaded-350g.
 4 contacts loaded-500g.
 6 contacts loaded-750g.
 8 contacts loaded-900g.
 10 contacts loaded-1100g.



P.C. Board Layout
(Top View)

No. of Position	No. of Contacts	Dimensions			
		A	B	C	D
4	4	13.97	11.43	7.90	7.62
6	2	16.00	13.46	10.00	10.16
6	4	16.00	13.46	10.00	10.16
6	6	16.00	13.46	10.00	10.16
8	8	18.03	15.49	11.90	11.43
10	10	18.03	15.49	11.90	11.43

Ordering information

<u>5008</u> Series	<u>10</u> 10:10 Position Housing 8: 8 Position Housing 6: 6 Position Housing 4: 4 Position Housing	<u>10</u> 10:10 Contacts Loaded 8: 8 Contacts Loaded 6: 6 Contacts Loaded 4: 4 Contacts Loaded 2: 2 Contacts Loaded	<u>/50</u> 50: 50 μ " Gold Plated 30: 30 μ " Gold Plated 15: 15 μ " Gold Plated 6: 6 μ " Gold Plated	<u>BLK</u> BLK: Black
-----------------------	--	--	--	--------------------------